

# Series P000 SOLENOID VALVE

Model#  
**P02010026F2A**

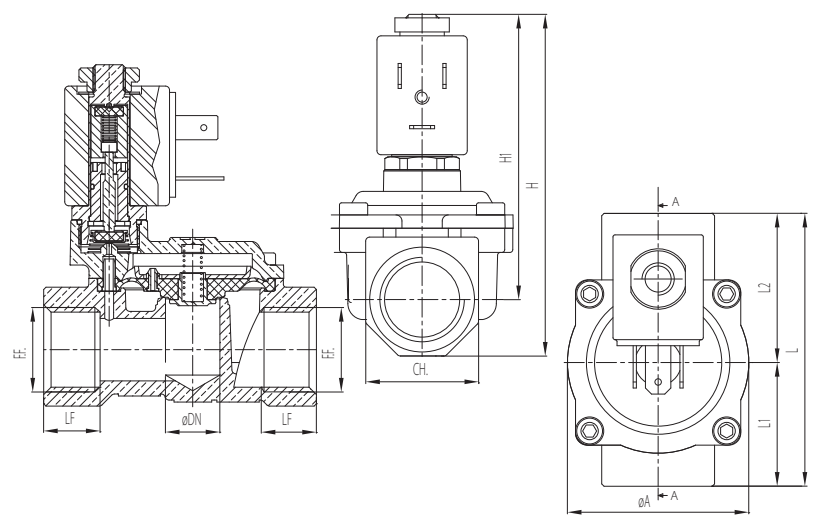
**2-Way, Pilot Diaphragm Solenoid Valve**  
**Normally Closed**

## Technical Specifications

|                    |                               |                     |                   |
|--------------------|-------------------------------|---------------------|-------------------|
| Pipe Size (Inch)   | Orifice Size (Inch)           | Flow Factor (CV)    |                   |
| <b>1"</b>          | <b>1"</b>                     | <b>11</b>           |                   |
| Voltage            | Power                         | Min. Pressure (PSI) | Max Pressure (AC) |
| <b>24VAC</b>       | <b>11.5VA</b>                 | <b>3</b>            | <b>174</b>        |
| Temperature Range  | Medium Examples               | Sealing Material    |                   |
| <b>5° - 302° F</b> | <b>Light Oils, Air, Water</b> | <b>FKM</b>          |                   |

## Valve Dimensions

|        |           |
|--------|-----------|
| (F.F): | 1"        |
| (DN):  | 1"        |
| (L):   | 3 11/16"  |
| (L1):  | 1 15/16"  |
| (L2):  | 1 11/16 " |
| (ØA):  | 2 13/16"  |
| (LF):  | 11/16"    |
| (H1):  | 3 3/16"   |
| (H):   | 4"        |
| (CH):  | 1 5/8"    |



## Electrical Connection

|                          |               |
|--------------------------|---------------|
| Rating:                  | NEMA 4/ IP 65 |
| Strain Relief Connector: | Model 020     |

